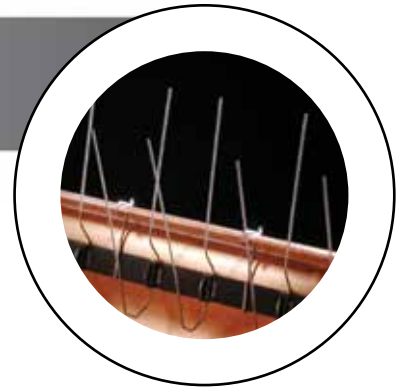




Gutter-Point™



- WHERE TO USE** Specifically designed for attachment to the inside lip of rain gutters
- TARGET BIRD** Pigeon and larger
- BIRD PRESSURE** Light - Medium
- MATERIAL** Stainless Steel and Polycarbonate
- INSTALLATION** Stainless steel clips slide over lip of rain gutters
- INSTALLATION LEVEL** Easy



Gutter-Point is hard to see, but it's there; protecting the edge of this hotel's roof.

Clips to the inside of the rain gutter, protecting the upper lip from pigeons & larger birds.

Gutter-Point keeps pigeons off the edge and out of this rain gutter.

Easy Application

Slip the stainless steel clips provided over the upper lip of the gutter and move on to the next section.

How it Works

Thin stainless steel spikes protrude upwards from a plastic base, making it difficult for birds to gain a foothold. Gutter-Point's specially designed clips make it easy to install and the spike configuration protects not only the edge of the gutter, but the inside as well.

Removable

Many gutters require periodic cleaning, and Gutter-Point can be easily removed, then clipped back on when the cleaning is done.

Hard to See

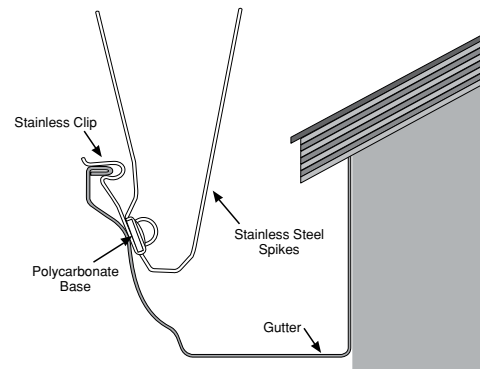
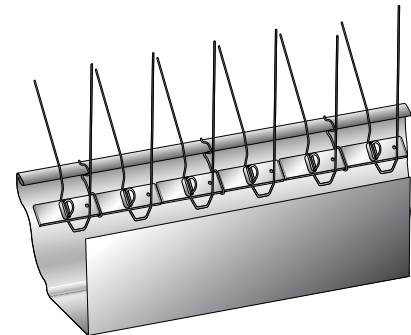
The thin, but rigid, stainless steel rods are almost invisible from a distance.

Humane

Gutter-Point's rods are not sharpened to prevent injury to humans, animals or birds.

Installation

Simply slip the stainless steel clips provided over the upper lip of the gutter and move on to the next section.



Gutter-Point

Univar
Part #

25 feet	GP-SG25
50 feet	GP-SG50

665538
665540